

**NEW 5-TON
MODEL!**



HI-BOY SHORTY OIL FURNACE

Designed to be installed
in applications with low
ceiling heights

Hi-Boy Shorty Features

- ✓ **ENERGY STAR RATED**
- ✓ **COOLING CAPACITY UP TO 5-TONS**
- ✓ **EASY ACCESS CLEANOUTS**
- ✓ **HIGHER BTU INPUT THAN THE STANDARD SHORTY**
- ✓ **DURABLE, HARD CERAMIC CHAMBER FOR LONG LIFE**
- ✓ **VARYING FIRING RATES TO FIT YOUR HOME'S NEEDS**
- ✓ **CONTROL BOARD IS IN THE FRONT OF THE CABINET FOR EASIER SETUP ACCESS**
- ✓ **POWDER COATED JACKET FOR A TOUGH, LONG LASTING FINISH**
- ✓ **EFFICIENT 4-SPEED DIRECT DRIVE BLOWER MOTOR**
- ✓ **OPTIONAL DIRECT VENT KIT AVAILABLE**

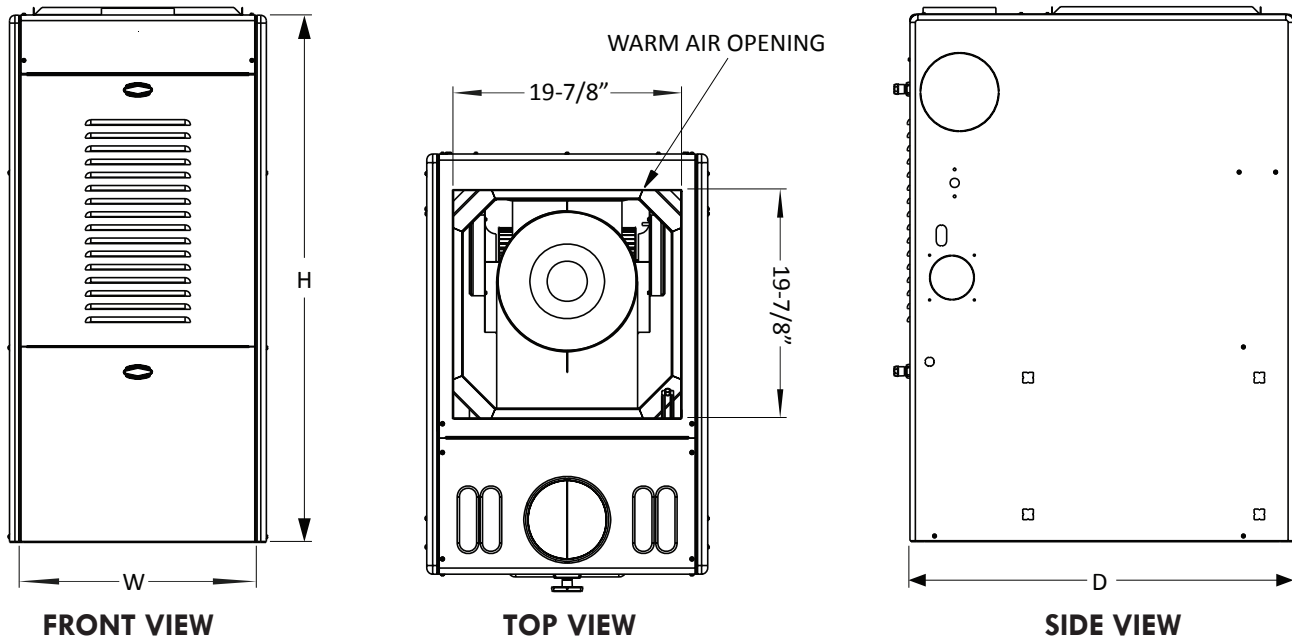


CrownBoiler.com





HI-BOY SHORTY TECHNICAL INFORMATION



DIMENSIONS

MODEL NUMBER	CASING HEIGHT (H)	CASING WIDTH (W)	CASING DEPTH (D)	NOMINAL FLUE OUTLET	SUPPLY AIR OUTLET SIZE (IN.)	RETURN AIR INLET SIZE (IN.)	APPROX. SHIPPING WEIGHT
OH8FA119D60	50-1/8"	24-1/2"	36-1/2"	7"	20" x 20"	23" x 14"	310 LBS.

SPECIFICATIONS

FIRING RATE	HEAT INPUT RATE (BTUH)	OUTPUT BTUH ¹	SEASONAL EFFICIENCY ²	LARGEST REC A/C ³	NOMINAL TEMP RISE ⁴	NOZZLE RATING ⁵ (GPH)
HIGH FIRE**	156,250	132,000	85.1%	5 TONS	60°	1.10
MED. FIRE*	140,000	119,000	85.8%	5 TONS	60°	1.00
LOW FIRE**	119,000	101,000	86.2%	5 TONS	60°	0.85

*Factory Installed Nozzle

**Shipped Loose with Furnace (Not Installed)

1. Output BTUH based on Annual Fuel Utilization Efficiency Rated by manufacturer

2. Seasonal efficiency (also called AFUE, or Annual Fuel Utilization Efficiency) ratings are based on U.S. Department of Energy Test Procedures.

3. To permit largest recommended air conditioning (at .5 static pressure), selection of the highest motor speed is required.

4. A 70° temperature rise can be achieved by changing the blower settings.

5. Oil pump pressure at 120 PSI.



CrownBoiler.com
PHILADELPHIA, PA