

# CROWN *Maui*

## Wall Mounted Combi Boiler

The Maui is a wall mounted boiler available in a “heat only” or “combi” model. It’s sleek compact design and ability to deliver both heat and hot water from the same unit (when the combi model is installed) make it ideal for those applications where space is at a premium. All of the major system components are incorporated within the boiler jacket.

The Maui is “Energy Star” rated and utilizes a concentric PPs vent system offering you the latest in energy efficiency and venting technology.

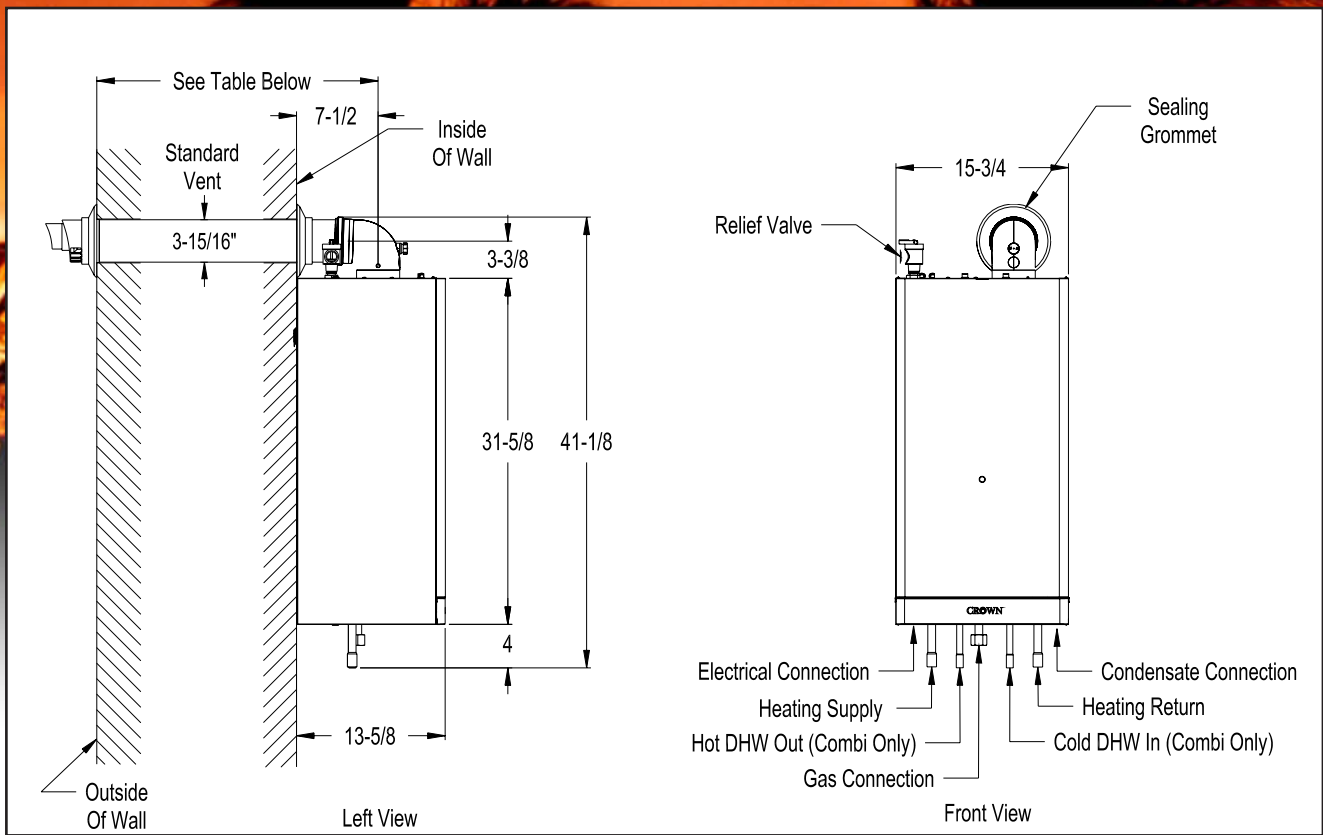
The Maui “combi” has separate controls for heat and hot water allowing you to match the boilers energy usage to the function it is performing.

### Features:

- ASME Copper Primary Heat Exchange
- 85% AFUE
- Compact Design
- Integral Plate Heat Exchanger and 3 Way Valve for Domestic Hot Water Production
- Factory Installed Circular, Expansion Tank and Near Boiling Piping
- Built in Bypass Assures Required Flow Through Heat Exchanger
- Low Operating Noise Level
- LED’s Provide Basic Diagnostic Information
- Control Exercise Circulator and 3 Way Valve Every 24hr when not in use
- Available for use With Either Natural or LP Gas
- Factory Supplied Wiring Harness Simplifies Making 120VAC Electrical Connections
- Heat Only or Combi Model Available
- Lightweight In Design - 110 Lbs.
- Concentric Polypropylene Venting System



**CROWN** BOILER CO.



Ratings									
MODEL*	APPLICATION	MAXIMUM INPUT (BTU/hr)	MINIMUM INPUT (BTU/HR)		D.O.E. HEATING CAPY. (BTU/hr)	IBR NET RATING (BTU/hr)	AFUE (%)	DHW Output (Gal/min)	
			HEATING	DHW				77F Rise	90F Rise
MWC116E*T	Combi	116,000	75,000	49,500	102,000	89,000	85.0	2.67	2.25
MWC116E*L	Heat Only	116,000	75,000	N/A	102,000	89,000	85.0	N/A	N/A

\* Insert suffix "N" for natural gas and "L" for propane. Ratings are the same for both fuels (Example: MWC116E\*NT denotes Natural Gas, Combi).

### Maximum Vent Lengths

Using 60/100mm Concentric Vent System Supplied with the Boiler.....25 in.  
 Using Optional 60/100mm Concentric Vent Components ..... 8ft -10in  
 Using Optional 80/125mm Concentric Vent Components.....27 ft

See Installation Manual for additional venting options and requirements.

### Other Specifications

Maximum Supply Temperature.....176 F  
 Maximum Allowable Working Pressure.....30 psi  
 Minimum System Pressure (at boiler).....4.4 psi  
 Maximum Achievable Flow Through Boiler.....5.5 GPM  
 Minimum Temperature Rise Across Boiler at High Fire.....37 F  
 Maximum Gas Inlet pressure.....10.5" Nat / 13.0" LP  
 Minimum Gas Inlet Pressure.....5.3" Nat/10.5"LP  
 Electrical Ratings.....120VAC/60Hz/1.8A  
 Thermostat Voltage.....120VAC

Available From:

# CROWN BOILER CO.

Since 1949, homeowners have depended on us for quality, value & service

3633 I Street, P.O. Box 14818

Philadelphia, PA 19134

Phone: (215) 535-8900 Fax: (215) 5359736

Visit us on the web: [www.crownboiler.com](http://www.crownboiler.com)